



常州市润丰源纺机制造有限公司.
Changzhou Run Feng Yuan Textile Machinery Manufacturing Co.,Ltd

Run Feng Yuan

TSJ3/1 (TSJ7/1) Jacquard Curtain Warp Knitting Machine

1: Machine specification:

Guage: E24, E28, E32

Working Width: 186" 268"

Bars Number: GB+JB

Machine Speed: 20-1200r/min

GB Shogging : Pattern disc

Let off : 4* EBC

Drawing off : Electronic

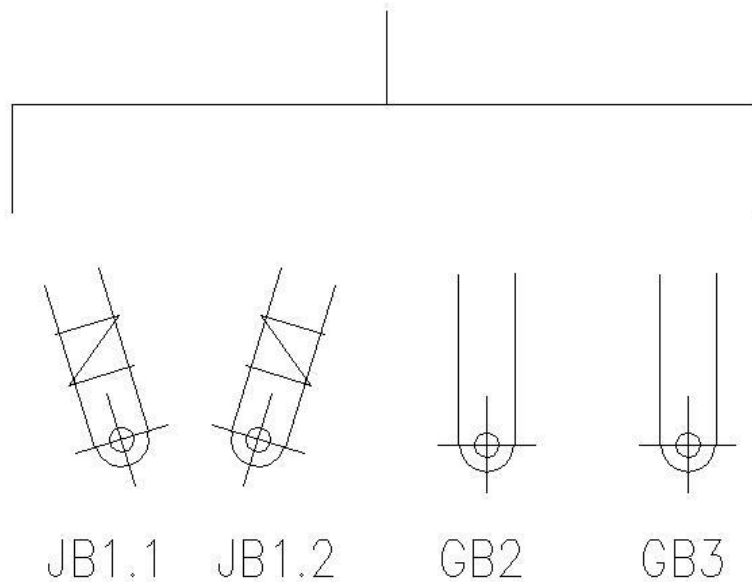
Batching : Electronic

Beams size : $\phi 30''$ 、 $\phi 21''$

Main motor power: 11KW

2: Bar arrangement:

成圈





常州市润丰源纺机制造有限公司.
Changzhou Run Feng Yuan Textile Machinery Manufacturing Co.,Ltd

3:Machine size:

