

## TS6(290") E32 Tricot Warp Knitting Machine

Gauge: E28, E32

Working width: 290"

No.of bars: 6 ground bars

Speed: 20-1,200rpm( According to standard testing design of manufacturer )

Shogging mode: Pattern disc or EL

Yarn let off : 6sets of EBC system

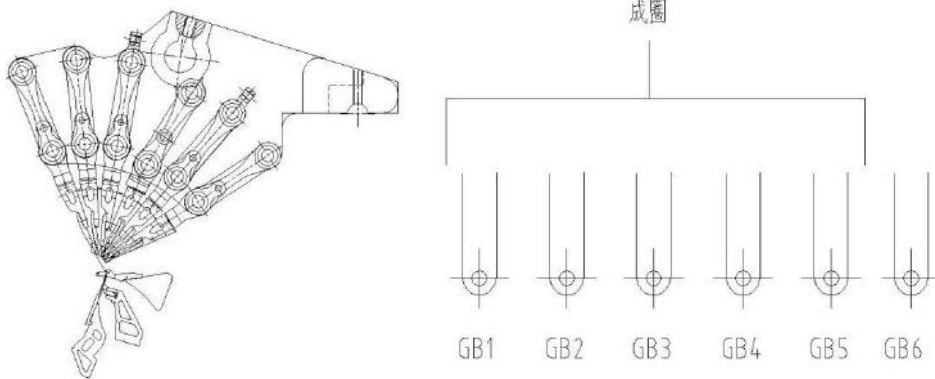
Take up mode : Electronic take up

Winding: Electronic winding

Beams: GB1,GB2,GB3,GB4,GB5,GB6 with 21" or 30" beams

Main motor capacity: 11kW

### 2:Bar arrangement:



### 3: Machine size:

