

## **RSM3/1(186"/215"/247") E5/E6/E8/E9 Geogrid Warp Knitting Machine**

### **Main Program Parameter**

**Gauge:**E5,E6,E8,E9

**Working Width:**186",215",247"

**Bar Number:**2 ground bars, 1 warp insertion bar

**Speed:**20-800rpm (Depends On Pattern And Material)

**Shogging Manner:**Pattern disc

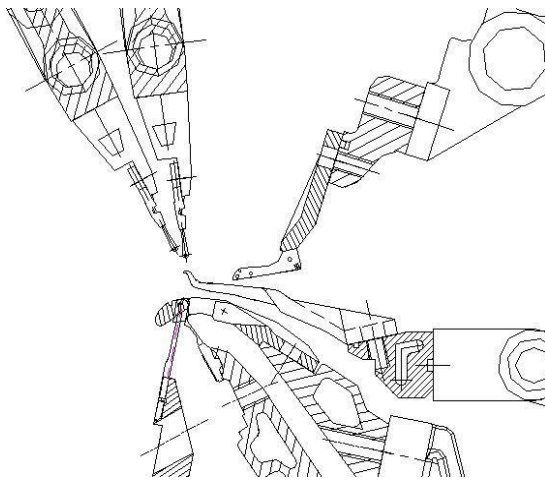
**Let-off Manner:** EBA System

**Take-up System:**EWA System

**Needle Type:**Compound Needle

**Main power:**7.5KW(186"),11 KW(215",247")

### **2: Bar arrangement:**



### **3: Machine size:**

