

RS4(134") (170") E24 E28 Raschel High-Speed Warp Knitting Machine

Gauge: E24,E28

Working width: 134",170"

No.of bars: 4 ground bars

Speed: 20-1800rpm(According to standard testing design of manufacturer)

Shogging mode: Pattern disc or EL

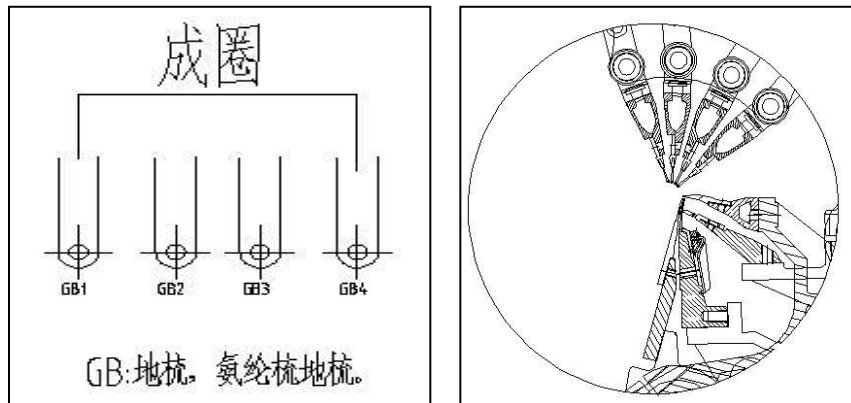
Yarn let off : 4 sets of EBC system

Take up mode : Electronic take up

Winding: Electronic winding

Beams: GB1,GB2,GB3,GB4 with 21"-30" beams

2:Bar arrangement:



3: Machine size:

