



## Run Feng Yuan

# RDJ5/1 (RDJ7/1) EL Double Needle Bar Warp Knitting Machine

### 1: Machine specification:

Guage: E22, E24, E28

Working Width: 70" , 90" , 140"

Bars Number: GB+JB

Machine Speed: 20-600r/min

Knock over distance : 1-12MM

Let off : 6/8\* EBC

Shogging manner : EL or Pattern disc

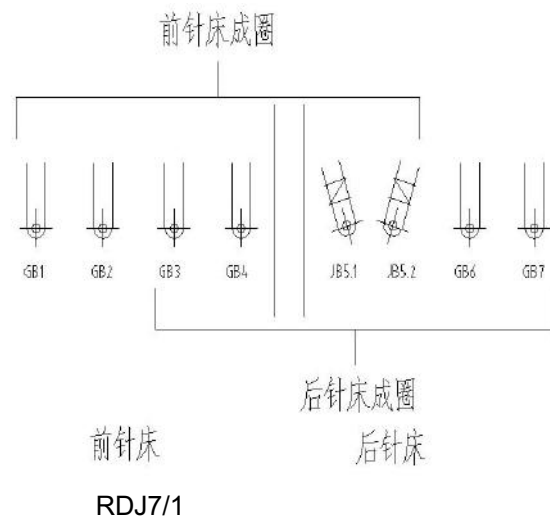
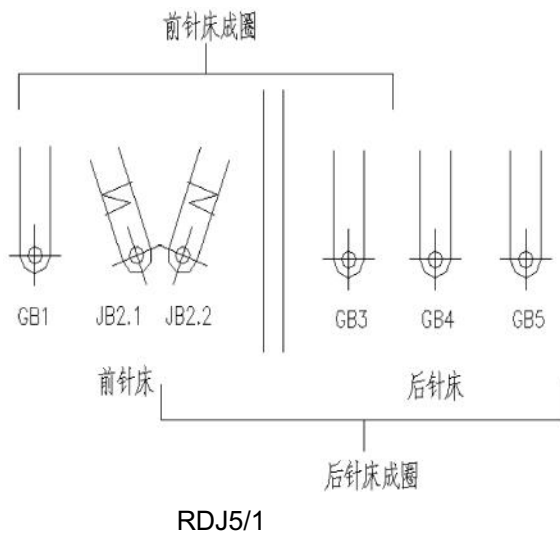
Drawing off : Electronic

Batching : Electronic

Beams size : 21"/φ30"

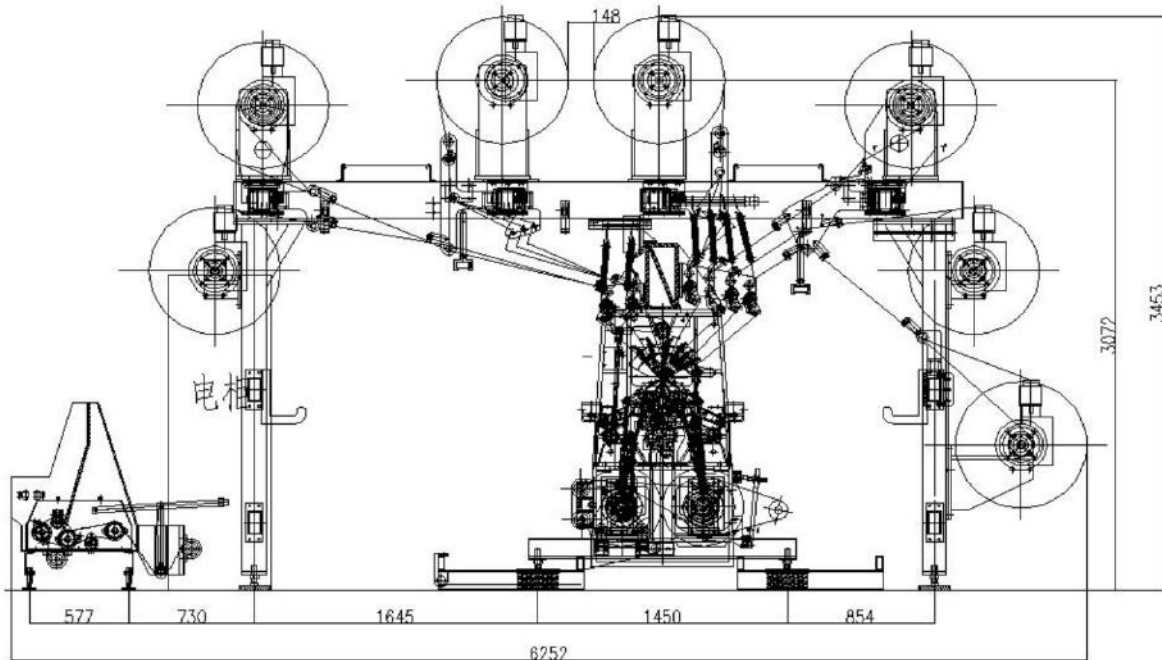
Main motor power: 4kW(70", 90"), 7.5kW(140")

### 2: Bar arrangement:

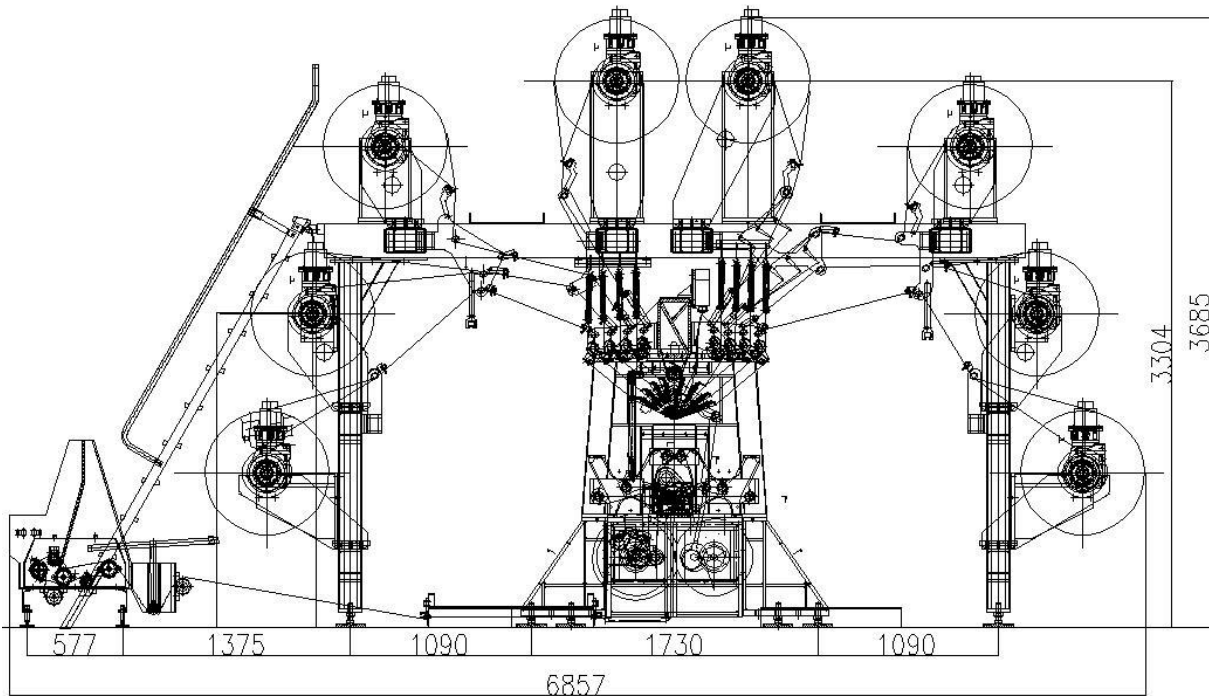




**3:Machine size:**



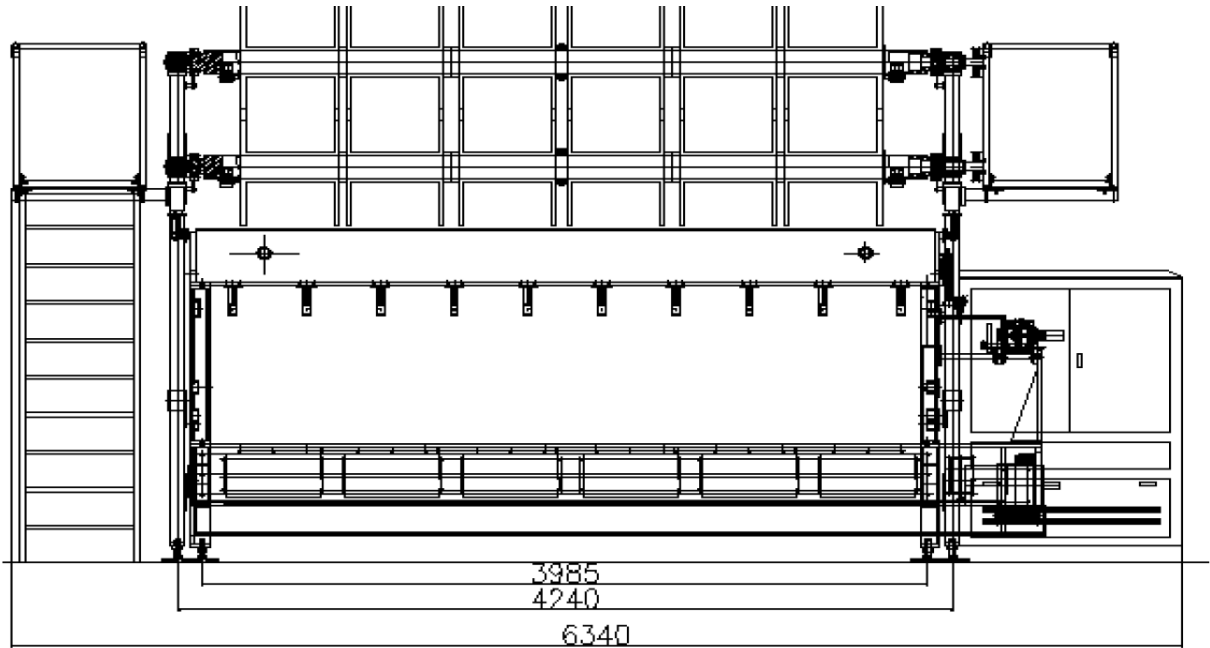
RDJ5/1



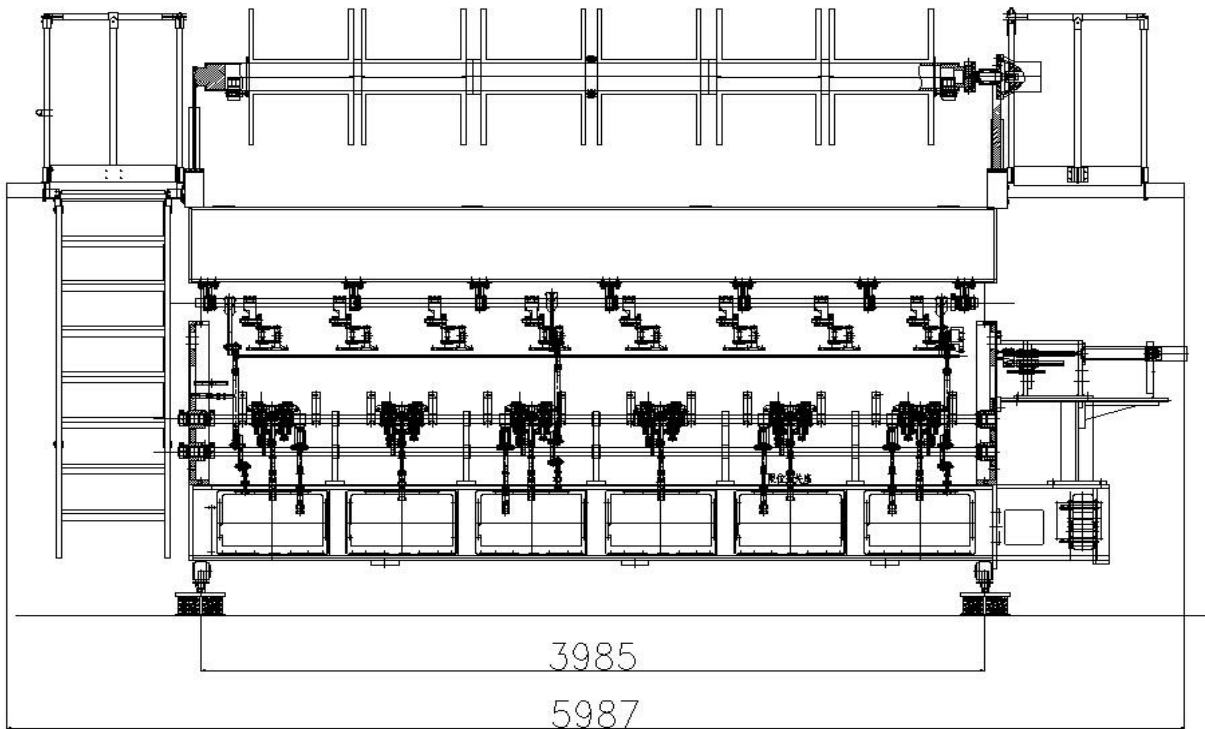
RDJ7/1



常州市润丰源纺机制造有限公司.  
Changzhou Run Feng Yuan Textile Machinery Manufacturing Co.,Ltd



RDJ5/1



RDJ7/1