



Run Feng Yuan

RDJ4/2 (RDJ6/2) Double Needle Bar Warp Knitting Machine

1: Machine specification:

Guage: E22, E24, E28

Working Width: 70" , 90" , 140"

Bars Number: 2*GB+2JB/ 4*GB+2*JB

Machine Speed: 20-600r/min

Knock over distance : 1-12MM

Let off : 6/8* EBC

Shogging manner : EL or Pattern disc

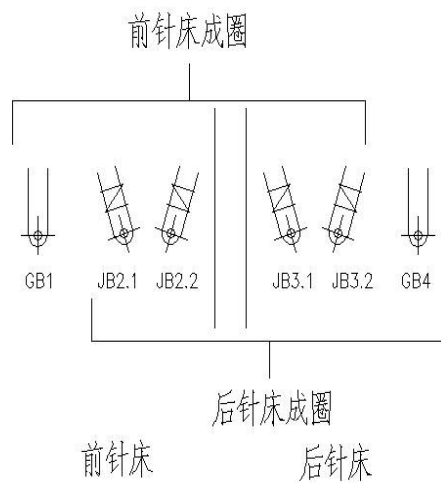
Drawing off : Electronic

Batching : Electronic

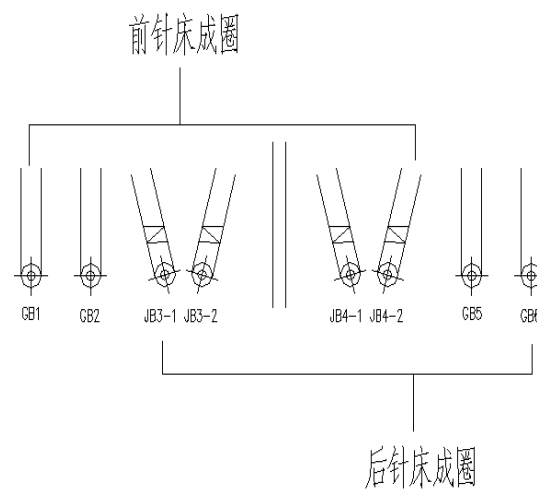
Beams size : 21"/φ30"

Main motor power: 4kW(70", 90"), 7.5kW(140")

2: Bar arrangement:



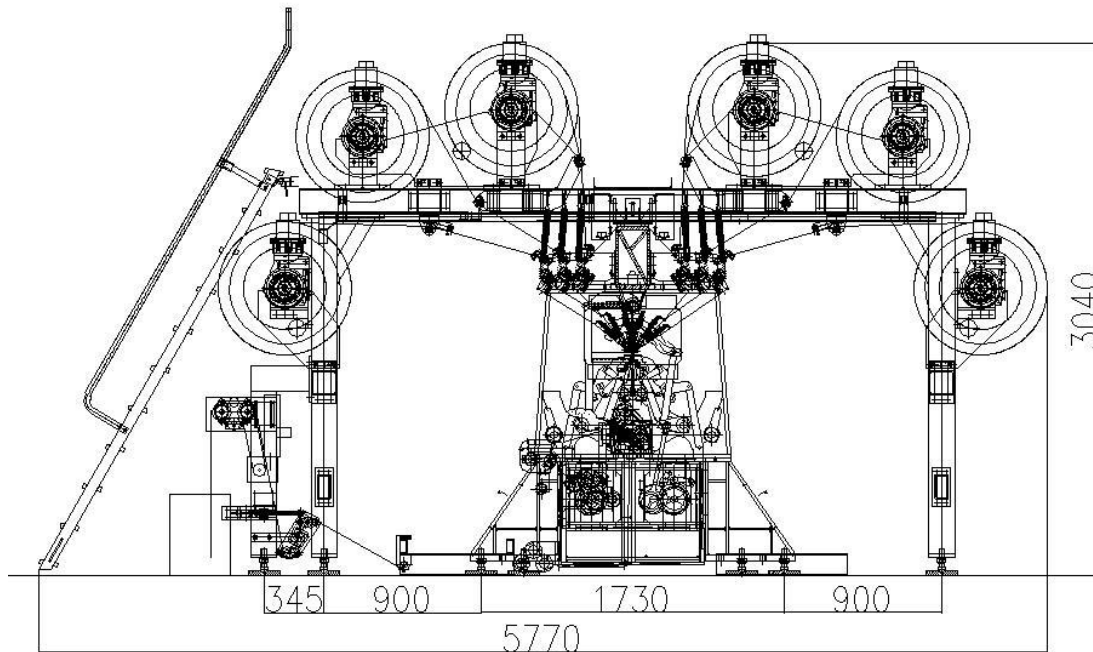
RDJ4/2



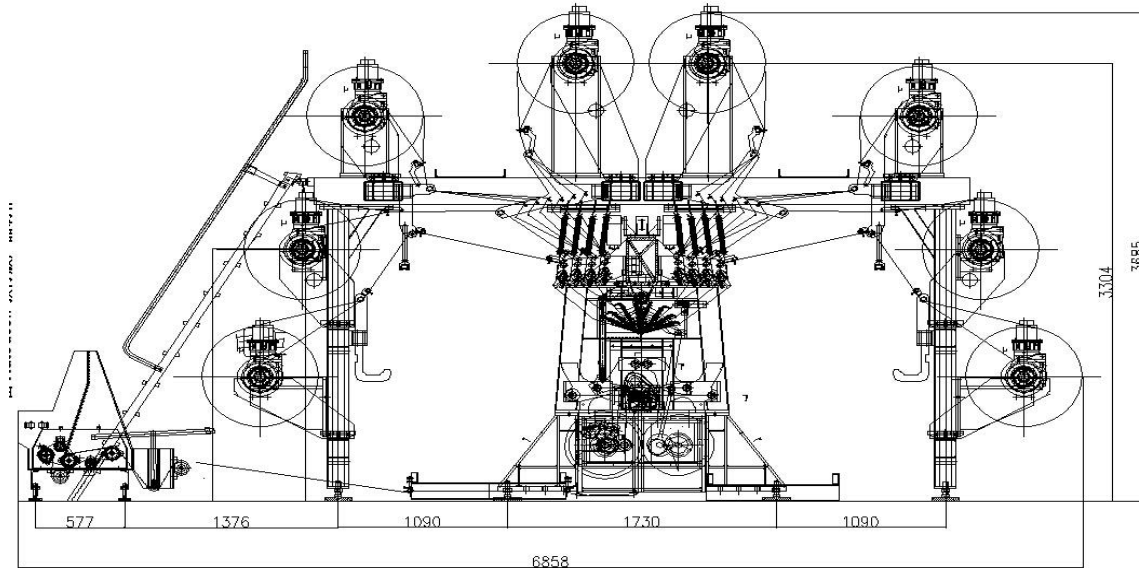
RDJ6/2



3:Machine size:



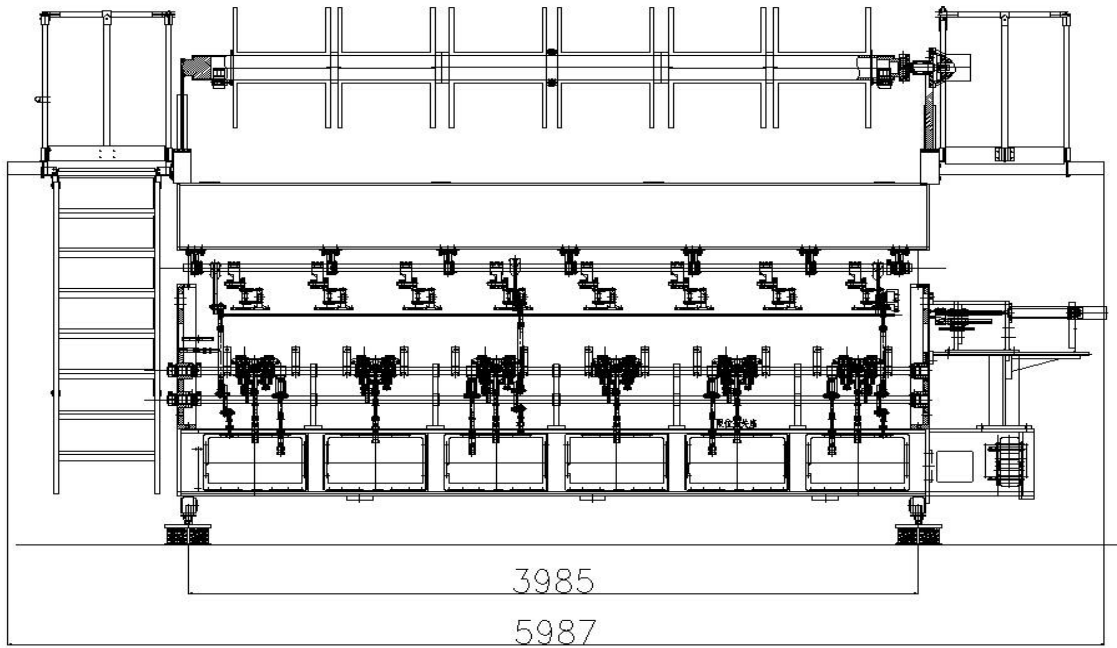
RDJ4/2



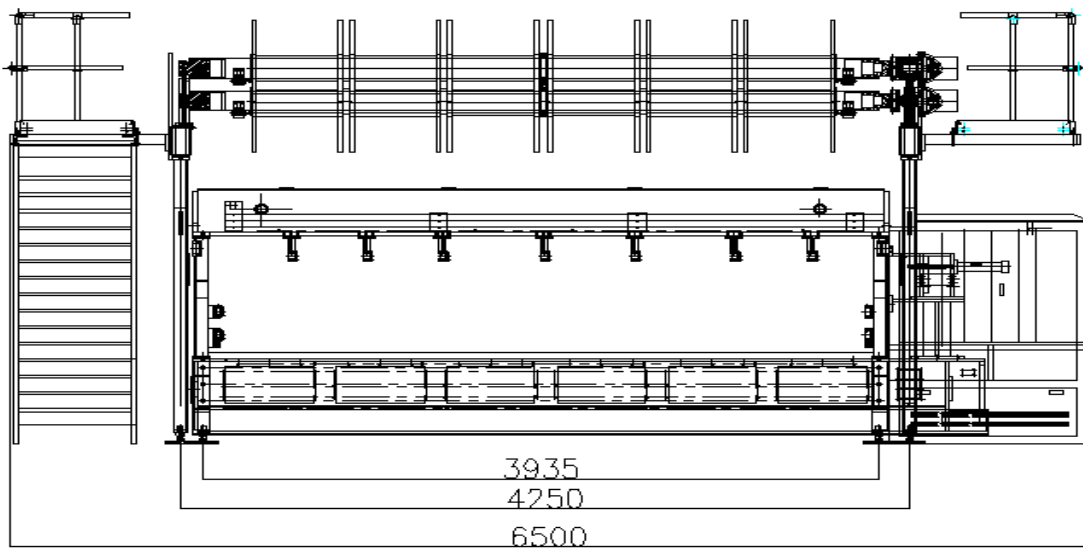
RDJ6/2



常州市润丰源纺机制造有限公司.
Changzhou Run Feng Yuan Textile Machinery Manufacturing Co.,Ltd



RDJ4/2



RDJ6/2