



Run Feng Yuan

RD7/8 (EL) Double Needle Bar Warp Knitting Machine

1: Machine specification:

Guage: E20, E22, E24, E28

Working Width: 90" , 110" , 138", 190", 210"

Bars Number: 5/6*GB

Machine Speed: 20-850r/min

Knock over distance : 1-12MM

Let off : 7/8* EBC

Shogging manner : EL or Pattern disc

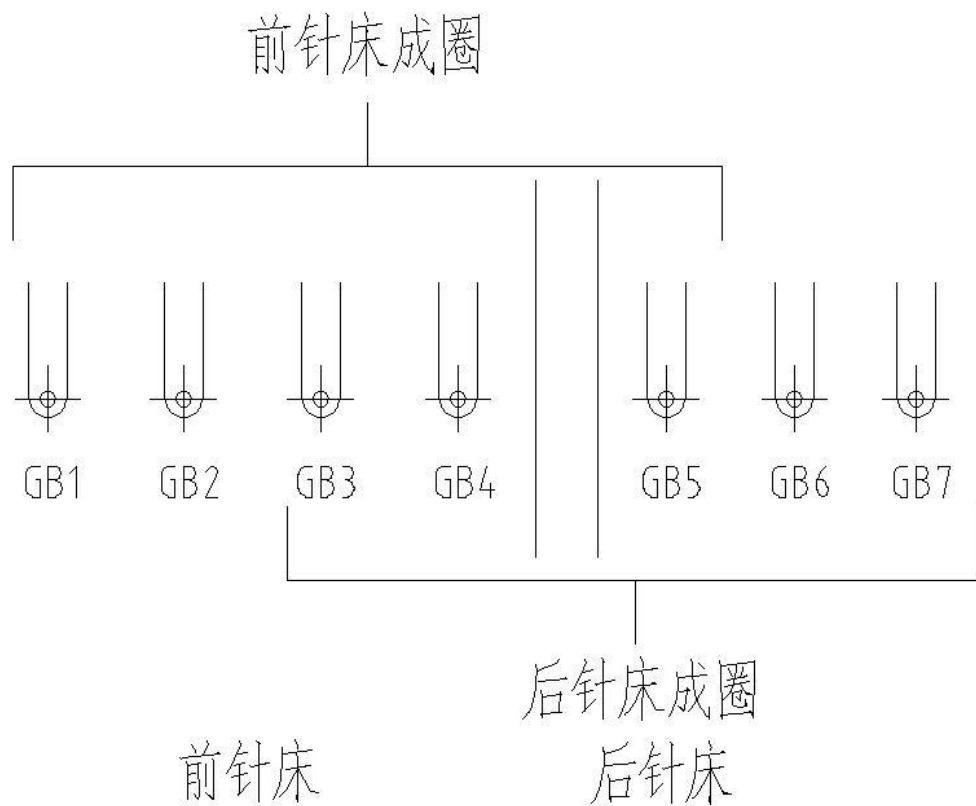
Drawing off : Electronic

Batching : Electronic

Beams size : 21"/φ30"

Main motor power: 4kW(90", 110"), 7.5kW(138"), 11kW(190", 210")

2: Bar arrangement:

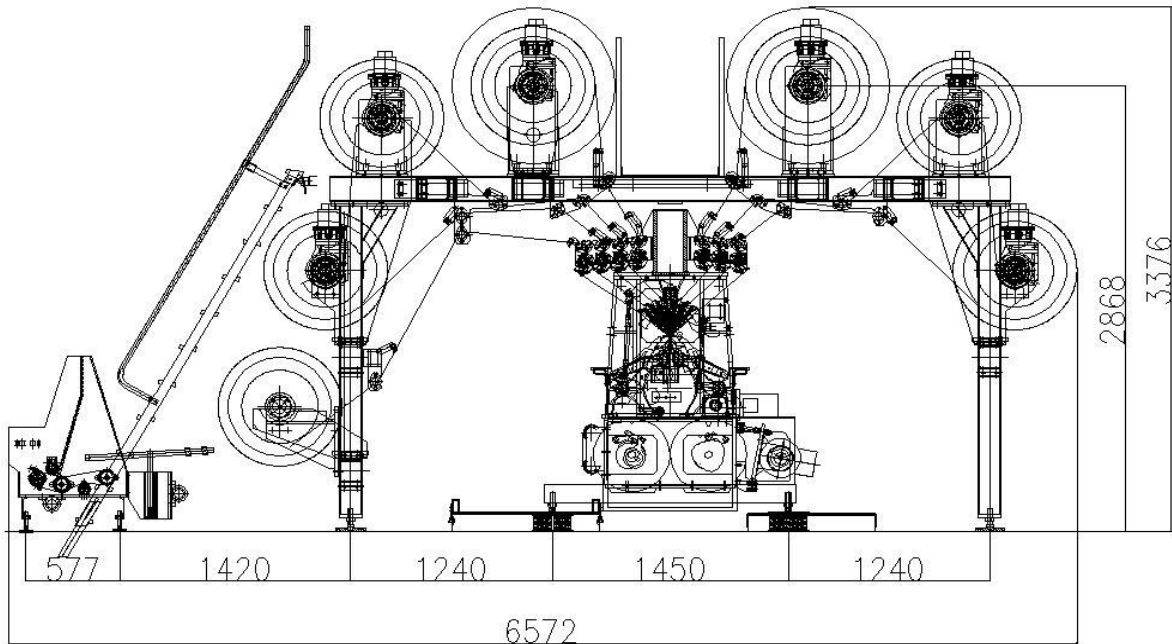


RD7(EL)

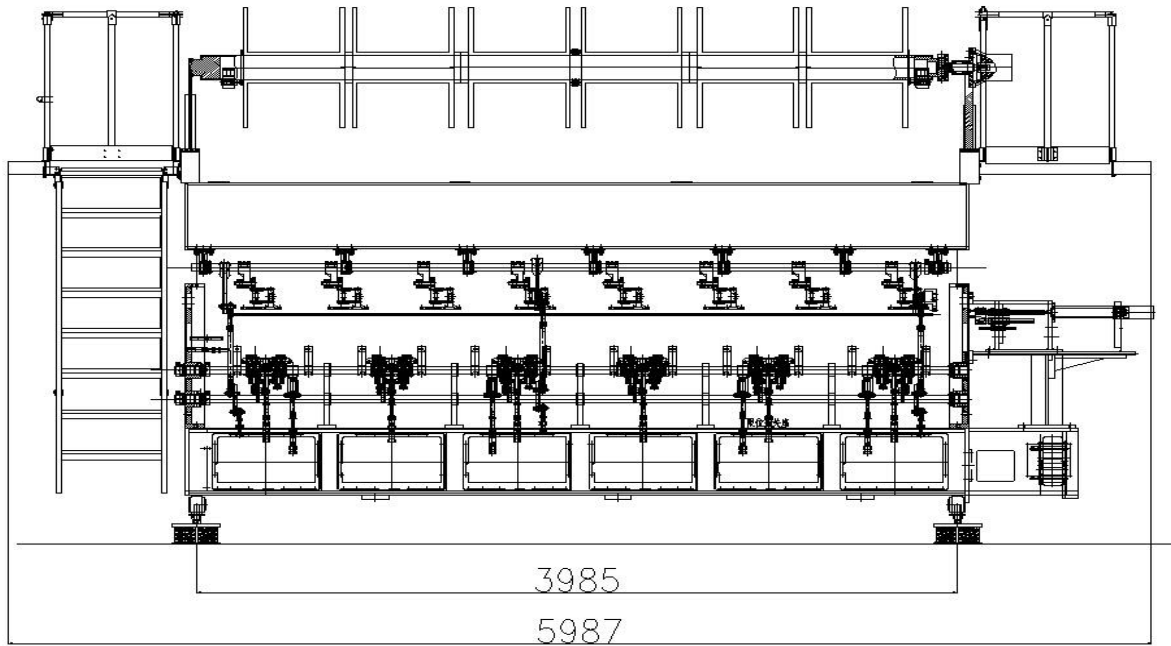


常州市润丰源纺机制造有限公司.
Changzhou Run Feng Yuan Textile Machinery Manufacturing Co.,Ltd

3:Machine size:



RD7(EL)



RD7(EL)