

BS1-V E12/14/18/20/22 2800mm Lixin Fabric Stitch Bonding Machine

Gauge(Needles/25mm):E12, E14,E18,E20,E22

Working Width(mm)(choice):2800,3600,4400

Bar Number: 1 Bar

Speed:50~1500rpm

Yarn Let-off Mechanism: Negative Let-off System,Positive let-off System

Take-up Manner:Electronic Take-up

Stich Length Variable: 0.5~5.5mm

Needle Type:Compound Needle

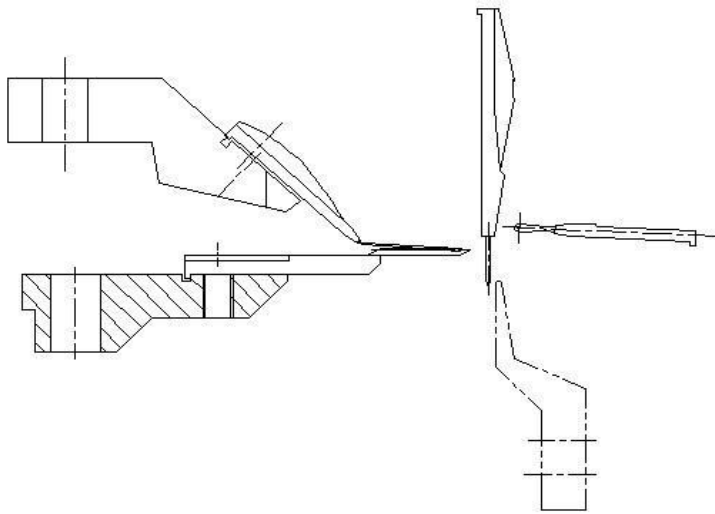
Warp Beam:Φ30"x21"

Machine Drive:Controlled By Servomotor

Machine Controlled: 7 Inches Touch Screen

Power:7.5KW(2800,3600), 11KW(4400)

2:Bar arrangement:



3: Machine size:

