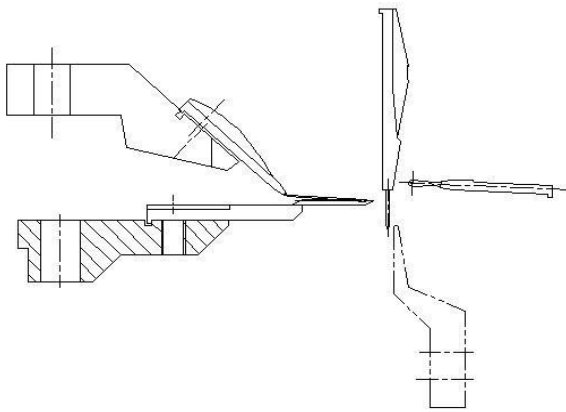


BS1-F(2800MM) E7 Slitting And Stitching Machine
BS1-F(3300MM) E7 Slitting And Stitching Machine

Gauge(Needles/25mm): F3.5, F7, F9
Working Width (mm):1600, 2400,2800,3300
Bar Number: 1Bar
Speed(r/min):50~900rpm
Fabric Take-up:Electronic Take-up
Stich Length Variable: 0.5~6.5mm
Needle Type:Compound Needle
Warp Beam:Φ152mm(Φ21" x30")
Power:5.5kw(1600, 2400),7.5kw(2800),11kw(3300)

2:Bar arrangement:



3: Machine size:

